

MICRO SWITCH

SWITCH - ENCLOSED

EX-AR20

FED. MFR. CODE 91929

EX-AR20

M

DRAWING NUMBER

20

ISSUE

KR

REVISIONS

A	CO 8520	K. A. F.	4 FEB 57
B	CO 15608	H. F.	9 DEC 61
C	CO 17653	H. W.	22 FEB 64
D	CO 18276	M. B. F.	15 JUNE 64
E	CO 19878	K. E. R.	27 OCT 68
F	CO 26109	D. L. F.	18 JUL 69
G	CO 31659	SLH	15 JUN 73
H	CO 32228	CB	9 NOV 85
J	CO 61361	DAW	22 APR 87
K	CO 707139	Y. S. H.	15 OCT 91

74-963
K. A. F. 4 FEB 57

(M) EX-AR20
REPLACES ISSUE 8

RELEASE NO.
26APR05

AK

CHECK

7 FEB 57

A.C.G.

CHECK

12 FEB 57

CHECK

4 FEB 57

CHECK

4 FEB 57

CHECK

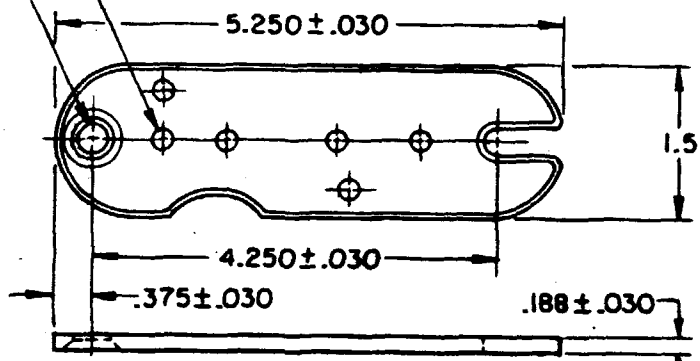
4 FEB 57

CHECK

4 FEB 57

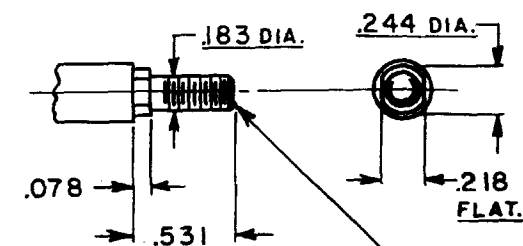
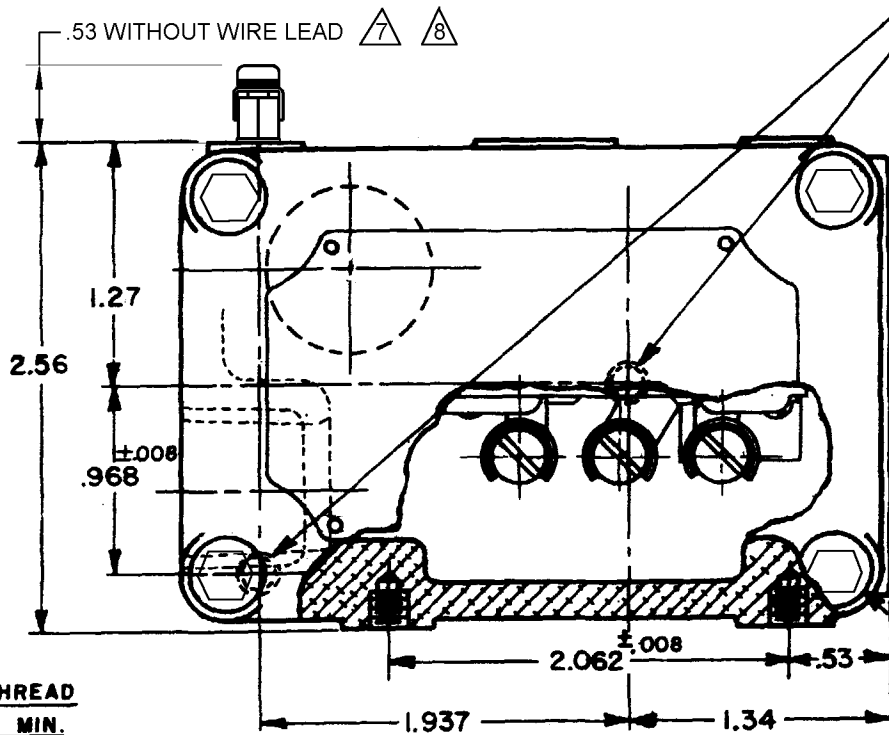
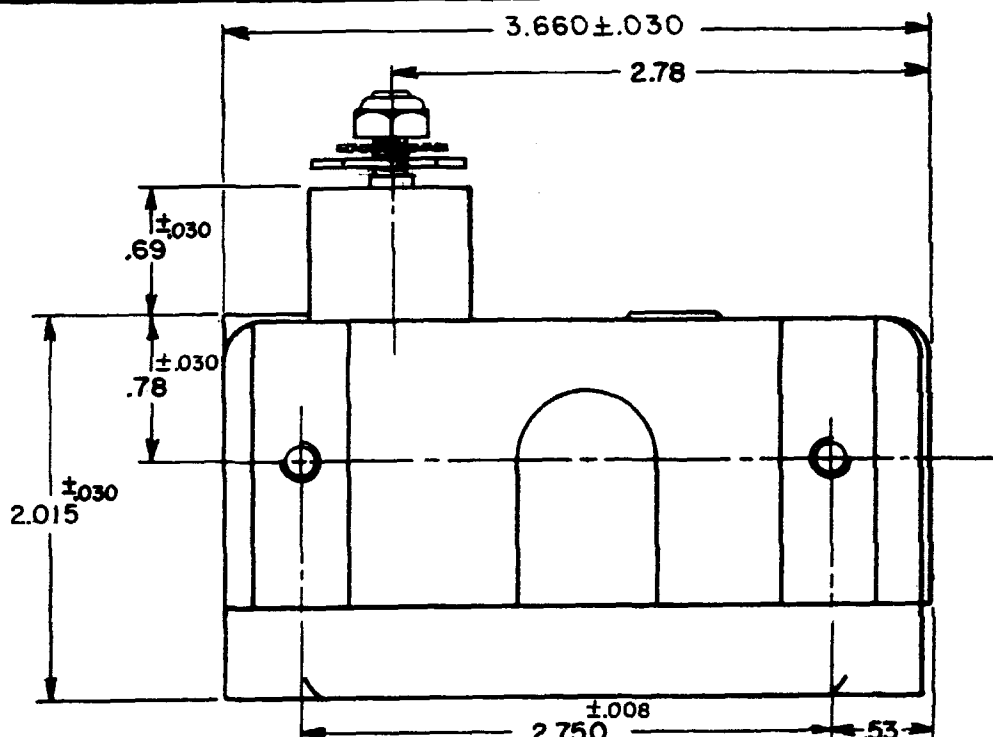
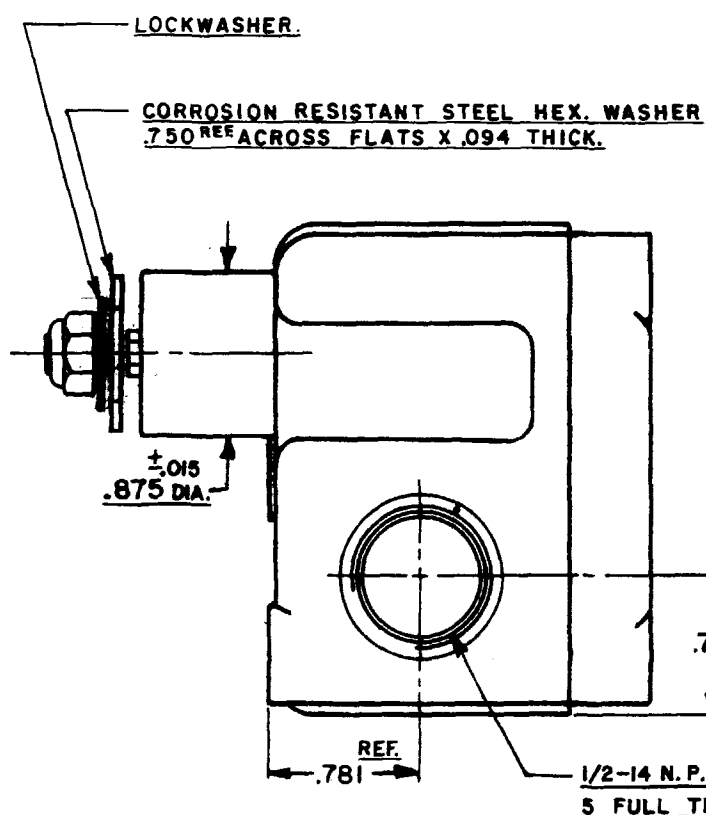
CHECK

MTG HOLE AND SLOT FOR .250 DIA SCREW
HOLE FOR NO. 10 PAN HEAD SCREW (6)



MOUNTING BRACKET (1) AND 10-32 UNF X .250 REF PAN HEAD SCREW (2) FURNISHED UNASSEMBLED
SCALE - HALF SIZE

L C073018
MAM
19 SEP 92
M 0012750
KR
26APR05

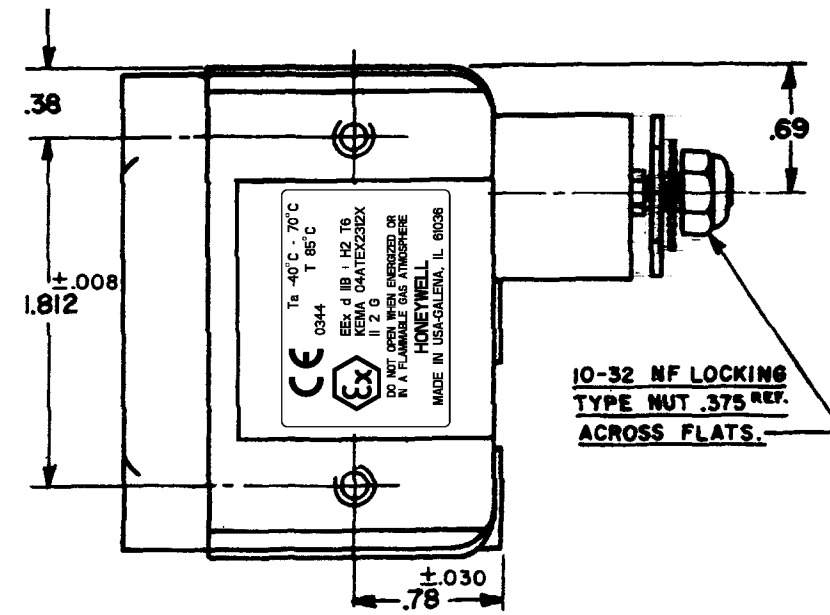


10-32 NF-2A THREAD TO WITHIN .060 OF SHOULDER.

SHAFT DETAIL

(2) MOUNTING HOLE IN OPPOSITE WALL.

4 X 5mm HEX DRIVE CAP SCREW, WRENCH FURNISHED WITH PRODUCT



10-32 NF LOCKING TYPE NUT .375 REF. ACROSS FLATS.

CHARACTERISTICS	
OPERATING TORQUE	--- 12.5 OZ. IN. MIN.
OPERATING TORQUE	--- 31.25 OZ. IN. MAX.
RELEASE TORQUE	--- 6.25 OZ. IN. MIN.
PRETRAVEL	--- 8° .219 MAX.
DIFFERENTIAL TRAVEL	--- 1/4° .007 MAX.
OVERTRAVEL	--- DO NOT OVERTRAVEL MORE THAN 90°
SWITCH - BASIC REPLACEMENT	--- BZ-2R-P4

ELECTRICAL DATA	
CONTACT ARRANGEMENT S P D T.	
-L96-	15 A - 125, 250, OR 480 VAC 1/2 A - 125 VDC; 1/4 A - 250 VDC 1/8 HP - 125 VAC; 1/4 HP - 250 VAC

SCALE - FULL	
DO NOT SCALE PRINT	
UNLESS OTHERWISE SPECIFIED DIMENSIONS ARE IN INCHES	
TOLERANCES ARE:	
ONE PLACE (.0)	±.030
TWO PLACE (.00)	±.018
THREE PLACE (.000)	±.008
ANGLES	±
WEIGHT	

- NOTE-
- (8) MOUNTING SCREW HOLES, 10-32 NF-2B THREADS X .219 REF. DEEP.
 - 8-32 NC X .219 REF. TERMINAL SCREWS AND CUP WASHERS.
 - EXPLOSION PROOF - UNDERWRITERS LAB. INC. LISTED FOR HAZARDOUS LOCATIONS NEMA 7, CLASS I, GROUPS C AND D, NEMA 9, CLASS II, GROUPS E, F AND G.
 - SWITCH OPERATES ON RIGHT HAND CLOCKWISE ROTATION.
 - EUROPEAN HAZARDOUS LOCATIONS DESIGNATION: EEx d IIB + H2 T6 CATAGORY II 2 G
 - SEAL RATING: NEMA 1
 - EXTERNAL GROUND SCREW MAY BE ASSEMBLED TO ANY UNUSED MOUNTING SCREW HOLE
 - ASSEMBLE PROVIDED SPLIT LOCKWASHER BETWEEN GROUND LUG AND HOUSING

THIS DRAWING COVERS A PROPRIETARY ITEM AND IS THE PROPERTY OF MICRO SWITCH, A DIVISION OF HONEYWELL. THIS DRAWING IS NOT TO BE COPIED OR USED WITHOUT THE APPROVAL OF MICRO SWITCH